



LTG12-55

Valve-regulated lead-acid battery

DEEP CYCLE GEL SERIES

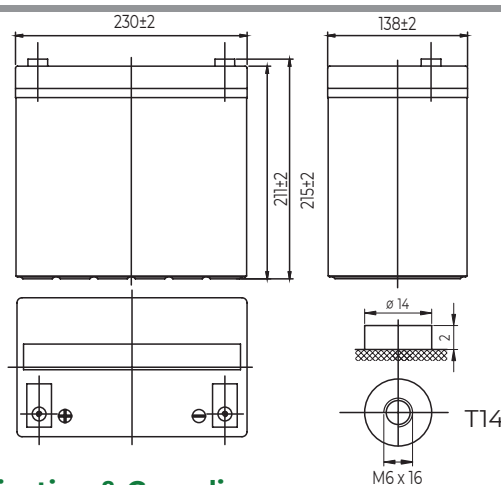
Characteristics

Nominal voltage	12V (6 cell per unit)	
Nominal capacity at 10 hours rate/10.8V (25°C)	55Ah	
Capacity (25°C)	20 Hours rate/10.8V	58.4Ah
	5 Hours rate/10.8V	45.35Ah
Terminal type	T14	
Torque	5.1±0.6N.m	
Approx. internal resistance (25°C)	7.0 mΩ	
Dimensions	Length	230±2mm (9.06inch)
	Width	138±2mm (5.43inch)
	Height	211±2mm (8.31inch)
	Total height	215±2mm (8.46inch)
Design Life (stand-by)	JIS at 25°C	12 years
	Eurobat at 20°C	10/12 years
Weight	17.30kg (38.14lbs)±3%	
Nominal operating temperature	25±3°C (77°F±5)	
Operating temperature range	Discharge	-15°C~50°C (5°F~122°F)
	Charge	-10°C~50°C (14°F~122°F)
	Storage	-20°C~50°C (-4°F~122°F)
Float charging voltage at 25°C	13.5V~13.8V	
Cyclic charging voltage at 25°C	14.5V~14.7V	
Temperature compensation	Float charge	-18 mV/°C/Block
	Cycle charge	-30 mV/°C/Block
Max. charging current (A)	11A	
Max. discharge current for 5 seconds	500A	
Self discharge rate (25°C)	≤3%/month	
Battery container ABS UL94-HB	V-0 optional	

Overview

Leaftron AGM GEL Series are manufactured following the highest demands in the deep cycle and renewable energy applications. The batteries use colloidal or foamed silica gel to immobilize the electrolyte, which further enhances the cycling stability. Available in top and front terminal types.

Dimensions & Terminal Type (mm)



Certification & Compliances



Compliant to: EUROBAT, RoHS, WEEE's and Reach.
Manufactured according to IEC 60896-21 / 22

Construction

Component	Positive Plate	Negative plate	Container	Separator	Electrolyte	Safety valve	Terminal
Raw material	Lead dioxide	Lead	ABS (V-0 opt.)	AGM	Sulfuric Acid Gel	Rubber	Copper

Constant current discharge characteristics at 25°C

(Ampere/battery)

F.V/Time	10min	15min	30min	60min	2h	3h	4h	5h	8h	10h	20h
9.60V	105	86.2	52.3	32.3	20.1	14.3	11.2	9.54	6.73	5.60	2.97
9.90V	102	84.2	51.2	31.9	20.0	14.2	11.2	9.48	6.69	5.59	2.96
10.2V	97.7	81.1	49.7	31.0	19.8	14.1	11.1	9.42	6.65	5.57	2.95
10.5V	93.5	78.3	48.5	30.1	19.5	14.0	11.0	9.35	6.60	5.54	2.94
10.8V	88.3	74.2	46.7	29.1	19.0	13.7	10.7	9.07	6.40	5.50	2.92

Constant power discharge characteristics at 25°C

(Watts/battery)

F.V/Time	10min	15min	30min	60min	2h	3h	4h	5h	8h	10h	20h
9.60V	1135	947	587	369	233	168	132	113	80.0	66.9	35.6
9.90V	1101	924	575	363	231	167	131	112	79.5	66.7	35.5
10.2V	1056	890	557	354	229	166	130	111	79.0	66.5	35.4
10.5V	1010	860	544	343	226	165	129	111	78.4	66.1	35.2
10.8V	954	814	524	332	220	162	125	107	76.1	65.7	35.0

The above characteristics represent average values and can be obtained within three charge and discharge cycles. The batteries must be fully charged before testing. The data in this document is subject to change without notice and become contractual only after written confirmation.