

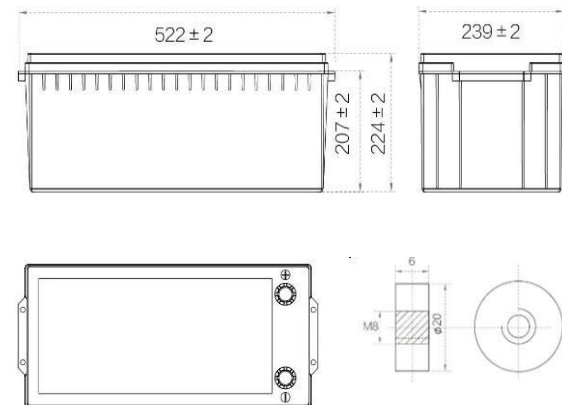
Powerbox 12V-220Ah TN 220-12 -AE



Specifications

Nominal Voltage	12V	
Nominal Capacity(10hr)	220AH	
Dimension	Length	522±2mm(20.55inch)
	Width	239±2mm(9.41inch)
	Height	207±2mm(8.15inch)
	Total Height	224±2mm(8.82inch)
Approx Weight	Approx. 60.0kg(+/-3%)	
Terminal Type	M8	
container Material	ABS(UL-94HB)	
Internal Resistance	Approx.3.0mΩ	
Rated Capacity	220AH	(20hr, 1.75V/cell,25°C/77°F)
	200AH	(10hr, 1.75V/cell,25°C/77°F)
	180AH	(5hr, 1.75V/cell,25°C/77°F)
	170AH	(3hr, 1.75V/cell,25°C/77°F)
	120AH	(1hr, 1.75V/cell,25°C/77°F)
Max. Discharge Current	2200A(5S)	
Nominal Operating Temp. Range	25±3°C (77±5°F)	
Cycle Use	Charge Current Less Than 0.25CA	
	14.1V~14.7V@25°C(77°F)Temp. Coefficient -30mV/°C	
Floating Use	13.5V~13.8V@25°C(77°F)Temp. Coefficient -20mV/°C	
Capacity affected by Temperature	40°C	103%
	25°C	100%
	0°C	86%
	-15°C	65%
Self-discharge	3 month	Remaining capacity: 91%
	6 month	Remaining capacity:82%
	12month	Remaining capacity:65%

Dimensions



Terminal M8

Constant Power Discharge at 25°C(77°F)

F.V/Time	5min	10min	15min	30min	1h	2h	3h	4h	5h	6h	10h	20h
1.80V/cell	998	837	679	413	232	159	109	83.3	69.6	63.3	39.1	19.6
1.75V/cell	1012	846	689	428	236	161	110	84.0	69.7	63.8	39.2	19.8
1.70V/cell	1034	856	700	434	245	163	112	84.6	70.3	64.1	39.2	19.8
1.67V/cell	1046	864	711	444	255	165	112	85.1	70.4	64.3	39.2	19.8
1.60V/cell	1053	866	721	452	264	168	113	85.7	71.3	64.7	39.3	19.9

Constant Current Discharge at 25°C(77°F)

F.V/Time	5min	10min	15min	30min	1h	2h	3h	4h	5h	6h	10h	20h
1.80V/cell	520	429	348	212	119	81.7	55.9	42.7	35.7	32.4	20.1	10.1
1.75V/cell	527	434	353	219	121	82.7	56.4	43.1	35.7	32.7	20.1	10.2
1.70V/cell	539	439	359	223	125	83.7	57.3	43.4	36.0	32.9	20.1	10.2
1.67V/cell	545	443	365	228	131	84.7	57.6	43.7	36.1	33.0	20.1	10.2
1.60V/cell	548	444	370	232	136	86.2	58.0	44.0	36.6	33.2	20.1	10.2